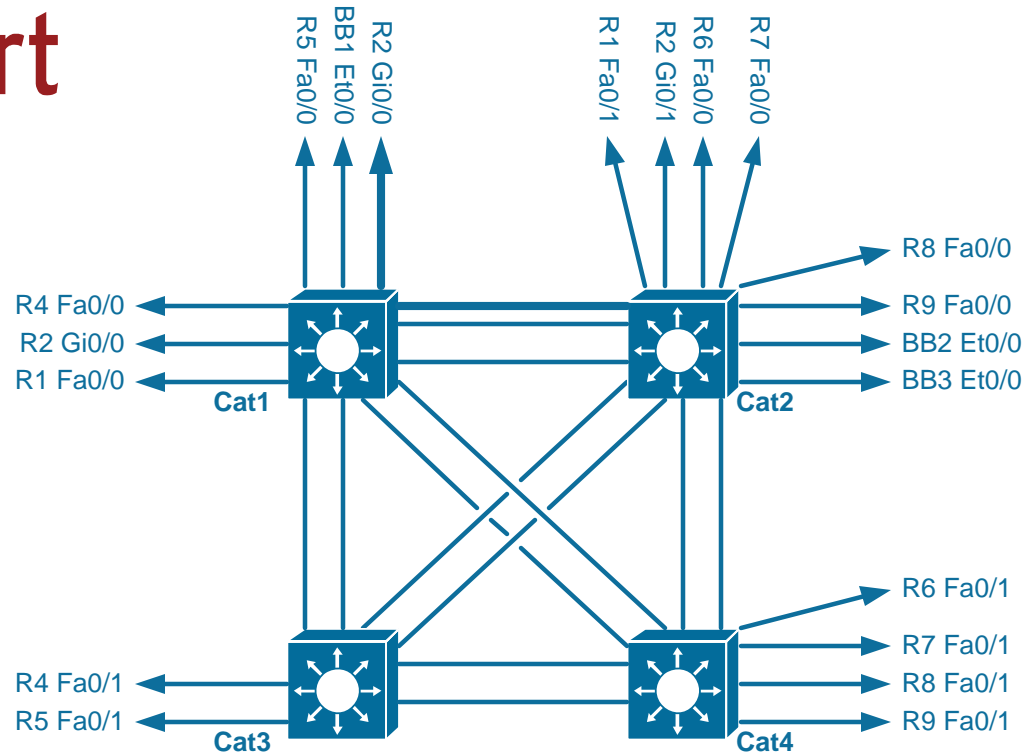


## Routing & Switching Base Connectivity



## Catalyst Host Connectivity Tables

### Cat1

Fa0/1 R1 Fa0/0  
 Fa0/2 R2 Gi0/0  
 Fa0/4 R4 Fa0/0  
 Fa0/5 R5 Fa0/0  
 Fa0/11 BB1 Et0/0

### Cat2

Fa0/1 R1 Fa0/1  
 Fa0/2 R2 Gi0/1  
 Fa0/6 R6 Fa0/0  
 Fa0/7 R7 Fa0/0  
 Fa0/8 R8 Fa0/0  
 Fa0/9 R9 Fa0/0  
 Fa0/12 BB2 Et0/0  
 Fa0/13 BB3 Et0/0

Fa0/19 Cat4 Fa0/19  
 Fa0/20 Cat4 Fa0/20  
 Fa0/21 Cat3 Fa0/21  
 Fa0/22 Cat3 Fa0/22  
 Fa0/23 Cat2 Fa0/23  
 Fa0/24 Cat2 Fa0/24  
 Gi0/1 Cat2 Gi0/1  
 Gi0/2 R2 Gi0/0

Fa0/19 Cat3 Fa0/19  
 Fa0/20 Cat3 Fa0/20  
 Fa0/21 Cat4 Fa0/21  
 Fa0/22 Cat4 Fa0/22  
 Fa0/23 Cat1 Fa0/23  
 Fa0/24 Cat1 Fa0/24  
 Gi0/1 Cat1 Gi0/1

### Cat3

Fa0/4 R4 Fa0/1  
 Fa0/5 R5 Fa0/1

### Cat4

Fa0/6 R6 Fa0/1  
 Fa0/7 R7 Fa0/1  
 Fa0/8 R8 Fa0/1  
 Fa0/9 R9 Fa0/1

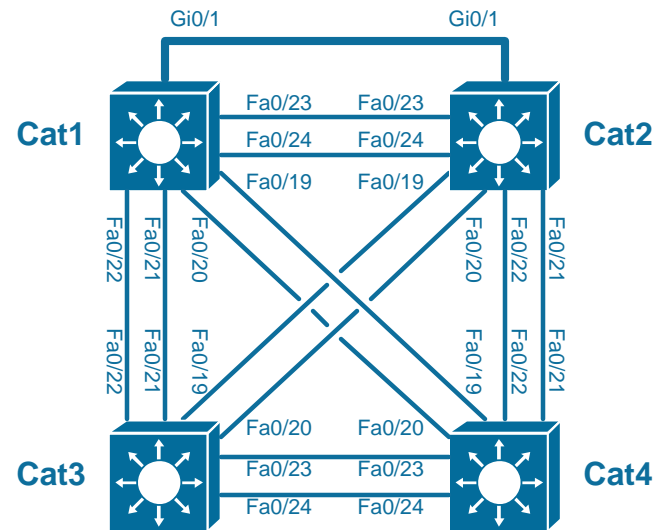
Fa0/19 Cat2 Fa0/19  
 Fa0/20 Cat2 Fa0/20  
 Fa0/21 Cat1 Fa0/21  
 Fa0/22 Cat1 Fa0/22  
 Fa0/23 Cat4 Fa0/23  
 Fa0/24 Cat4 Fa0/24

Fa0/19 Cat1 Fa0/19  
 Fa0/20 Cat1 Fa0/20  
 Fa0/21 Cat2 Fa0/21  
 Fa0/22 Cat2 Fa0/22  
 Fa0/23 Cat3 Fa0/23  
 Fa0/24 Cat3 Fa0/24

## Serial Connections Between Routers

R2 Se0/2/0 R5 Se0/2/0  
 R4 Se0/1/0 R5 Se0/0/0  
 R6 Se0/2/0 R9 Se0/2/0  
 R6 Se0/2/1 R9 Se0/2/1  
 R7 Se0/0/0 R8 Se0/0/0

## Catalyst Trunk Interconnects



## Frame-Relay DLCI Mapping

### R2 Frame Relay

to R4: 204, 214, 224  
 to R5: 205, 215, 225  
 to R6: 206, 216, 226

### R4 Frame Relay

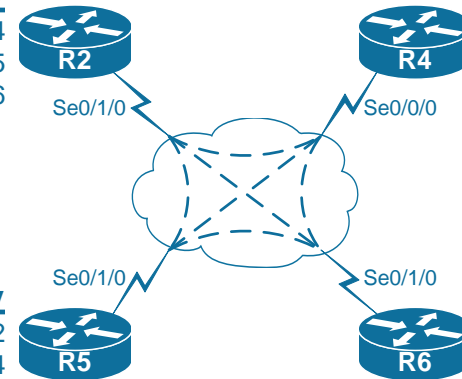
to R2: 402, 412, 422  
 to R5: 405, 415, 425  
 to R6: 406, 416, 426

### R5 Frame Relay

to R2: 502, 512, 522  
 to R4: 504, 514, 524  
 to R6: 506, 516, 526

### R6 Frame Relay

to R2: 602, 612, 622  
 to R4: 604, 614, 624  
 to R5: 605, 615, 625



## Routing & Switching Connections Table