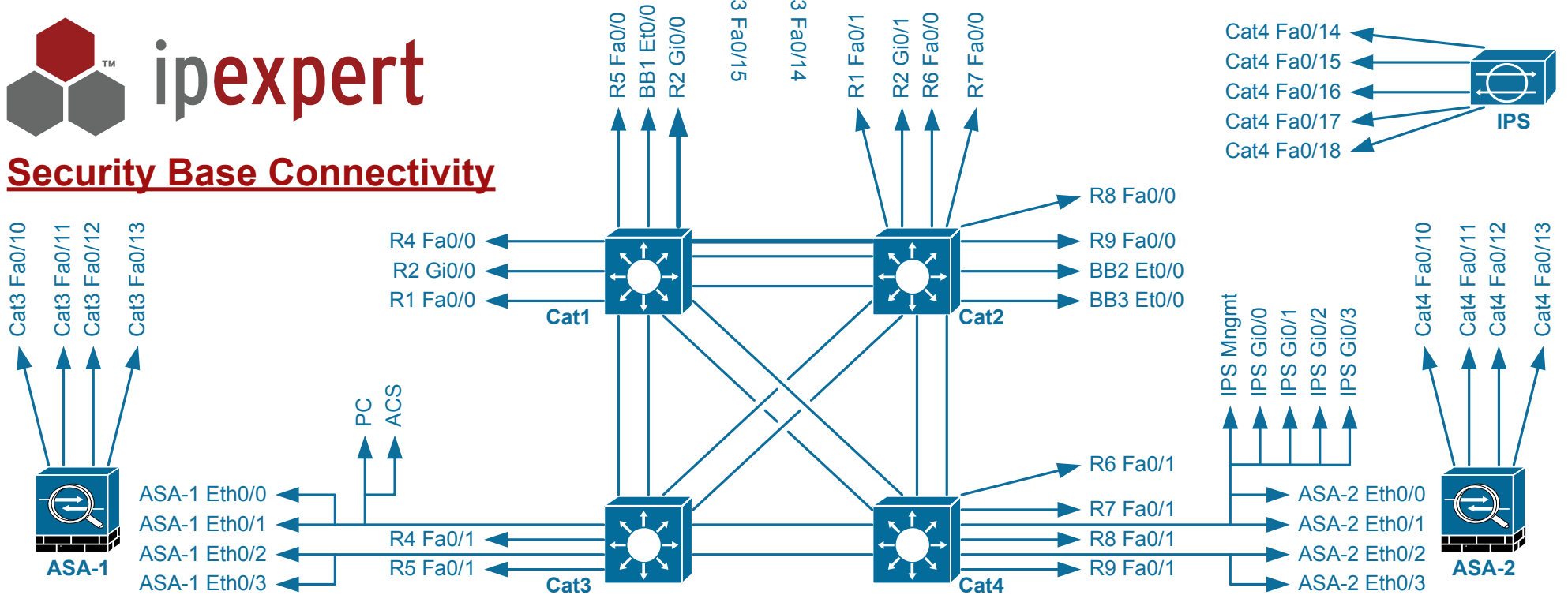


ipexpert

Security Base Connectivity



Catalyst Host Connectivity Tables

Cat1

Fa0/1 R1 Fa0/0
 Fa0/2 R2 Gi0/0
 Fa0/4 R4 Fa0/0
 Fa0/5 R5 Fa0/0
 Fa0/11 BB1 Et0/0

Cat2

Fa0/1 R1 Fa0/1
 Fa0/2 R2 Gi0/1
 Fa0/6 R6 Fa0/0
 Fa0/7 R7 Fa0/0
 Fa0/8 R8 Fa0/0
 Fa0/9 R9 Fa0/0
 Fa0/12 BB2 Et0/0
 Fa0/13 BB3 Et0/0

Fa0/19 Cat4 Fa0/19
 Fa0/20 Cat4 Fa0/20
 Fa0/21 Cat3 Fa0/21
 Fa0/22 Cat3 Fa0/22
 Fa0/23 Cat2 Fa0/23
 Fa0/24 Cat2 Fa0/24
 Gi0/1 Cat2 Gi0/1
 Gi0/2 R2 Gi0/0

Fa0/19 Cat3 Fa0/19
 Fa0/20 Cat3 Fa0/20
 Fa0/21 Cat4 Fa0/21
 Fa0/22 Cat4 Fa0/22
 Fa0/23 Cat1 Fa0/23
 Fa0/24 Cat1 Fa0/24
 Gi0/1 Cat1 Gi0/1

Cat3

Fa0/4 R4 Fa0/1
 Fa0/5 R5 Fa0/1
 Fa0/10 ASA1 Eth0/0
 Fa0/11 ASA1 Eth0/1
 Fa0/12 ASA1 Eth0/2
 Fa0/13 ASA1 Eth0/3
 Fa0/14 ACS
 Fa0/15 PC

Cat4

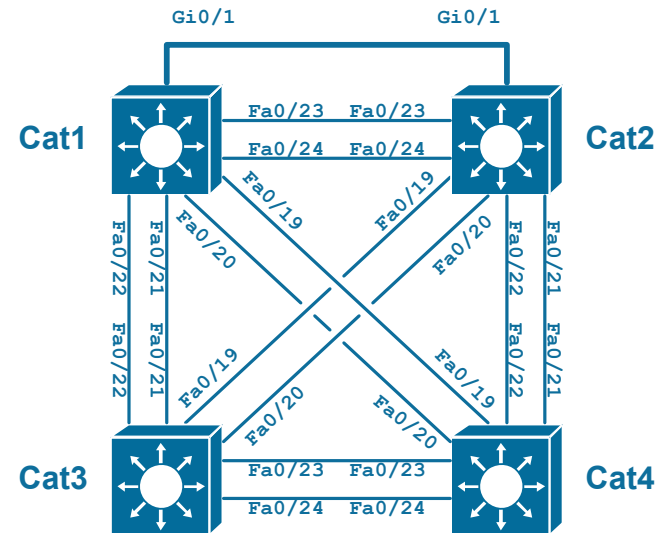
Fa0/6 R6 Fa0/1
 Fa0/7 R7 Fa0/1
 Fa0/8 R8 Fa0/1
 Fa0/9 R9 Fa0/1
 Fa0/10 ASA2 Eth0/0
 Fa0/11 ASA2 Eth0/1
 Fa0/12 ASA2 Eth0/2
 Fa0/13 ASA2 Eth0/3
 Fa0/14 IPS Mgmt
 Fa0/15 IPS Gi0/0
 Fa0/16 IPS Gi0/1
 Fa0/17 IPS Gi0/2
 Fa0/18 IPS Gi0/3
 Fa0/19 Cat1 Fa0/19
 Fa0/20 Cat1 Fa0/20
 Fa0/21 Cat2 Fa0/21
 Fa0/22 Cat2 Fa0/22
 Fa0/23 Cat3 Fa0/23
 Fa0/24 Cat3 Fa0/24

Fa0/19 Cat2 Fa0/19
 Fa0/20 Cat2 Fa0/20
 Fa0/21 Cat1 Fa0/21
 Fa0/22 Cat1 Fa0/22
 Fa0/23 Cat4 Fa0/23
 Fa0/24 Cat4 Fa0/24

B2B Serial Connections Between Routers

R2 Se2/0 R5 Se2/0
 R6 Se2/0 R9 Se2/0
 R6 Se2/1 R9 Se2/1
 R7 Se0/0 R8 Se0/0

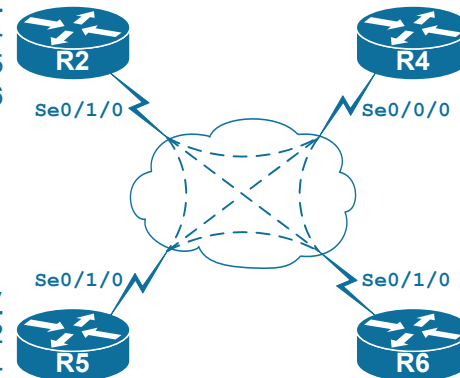
Catalyst Trunk Interconnects



Frame-Relay DLCI Mapping

R2 Frame Relay

to R4: 204, 214, 224
 to R5: 205, 215, 225
 to R6: 206, 216, 226



R4 Frame Relay

to R2: 402, 412, 422
 to R5: 405, 415, 425
 to R6: 406, 416, 426

R5 Frame Relay

to R2: 502, 512, 522
 to R4: 504, 514, 524
 to R6: 506, 516, 526

R6 Frame Relay

to R2: 602, 612, 622
 to R4: 604, 614, 624
 to R5: 605, 615, 625

Security Connections Table

