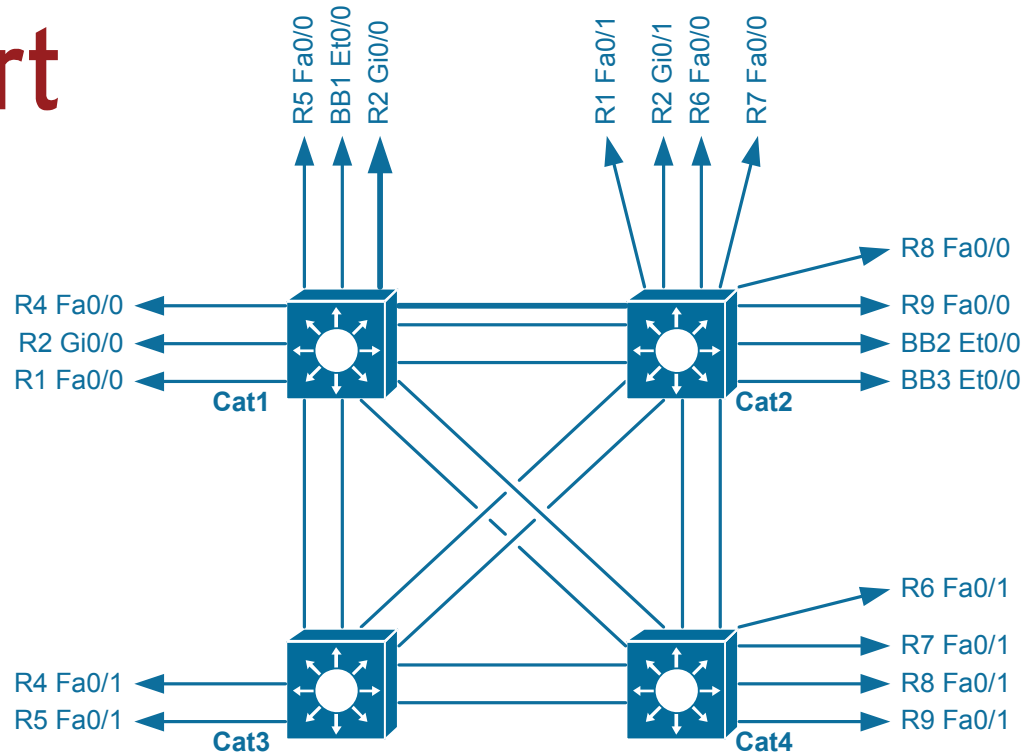


ipexpert

Service Provider Base Connectivity



Catalyst Host Connectivity Tables

Cat1

Fa0/1
Fa0/2
Fa0/4
Fa0/5
Fa0/11

R1 Fa0/0
R2 Gi0/0
R4 Fa0/0
R5 Fa0/0
BB1 Et0/0

Cat2

Fa0/1
Fa0/2
Fa0/6
Fa0/7
Fa0/8
Fa0/9
Fa0/12
Fa0/13

R1 Fa0/1
R2 Gi0/1
R6 Fa0/0
R7 Fa0/0
R8 Fa0/0
R9 Fa0/0
BB2 Et0/0
BB3 Et0/0

Fa0/19
Fa0/20
Fa0/21
Fa0/22
Fa0/23
Fa0/24
Gi0/1
Gi0/2

Cat4 Fa0/19
Cat4 Fa0/20
Cat3 Fa0/21
Cat3 Fa0/22
Cat2 Fa0/23
Cat2 Fa0/24
Cat2 Gi0/1
R2 Gi0/0

Fa0/19
Fa0/20
Fa0/21
Fa0/22
Fa0/23
Fa0/24
Gi0/1

Cat3 Fa0/19
Cat3 Fa0/20
Cat4 Fa0/21
Cat4 Fa0/22
Cat1 Fa0/23
Cat1 Fa0/24
Cat1 Gi0/1

Cat3

Fa0/4
Fa0/5

R4 Fa0/1
R5 Fa0/1

Cat4

Fa0/6
Fa0/7
Fa0/8
Fa0/9

R6 Fa0/1
R7 Fa0/1
R8 Fa0/1
R9 Fa0/1

Fa0/19
Fa0/20
Fa0/21
Fa0/22
Fa0/23
Fa0/24

Cat2 Fa0/19
Cat2 Fa0/20
Cat1 Fa0/21
Cat1 Fa0/22
Cat4 Fa0/23
Cat4 Fa0/24

Fa0/19
Fa0/20
Fa0/21
Fa0/22
Fa0/23
Fa0/24

Cat1 Fa0/19
Cat1 Fa0/20
Cat2 Fa0/21
Cat2 Fa0/22
Cat3 Fa0/23
Cat3 Fa0/24

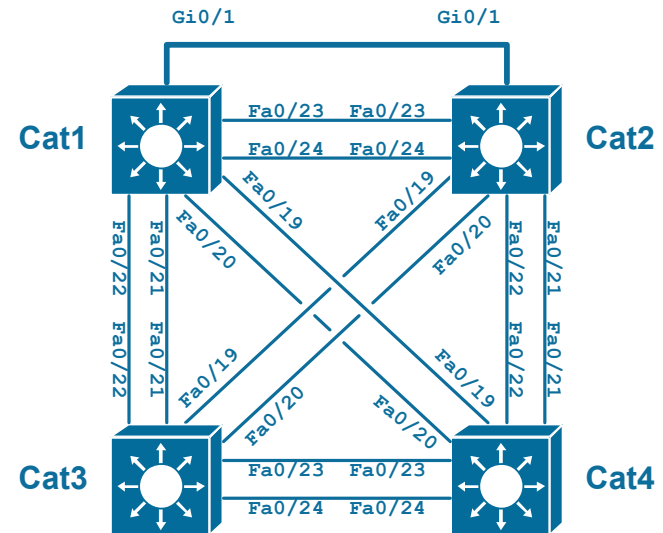
B2B Serial Connections Between Routers

R2 Se0/2/0
R6 Se0/2/0
R6 Se0/2/1
R7 Se0/0/0

R5 Se0/2/0
R9 Se0/2/0
R9 Se0/2/1
R8 Se0/0/0

Service Provider Connections Table

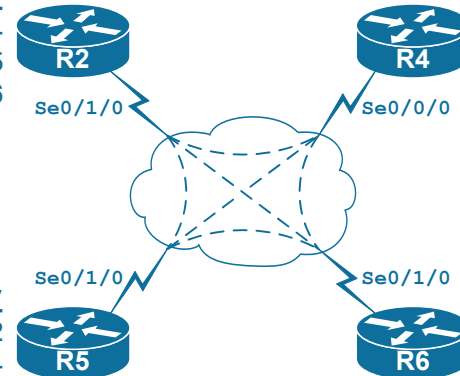
Catalyst Trunk Interconnects



Frame-Relay DLCI Mapping

R2 Frame Relay

to R4: 204, 214, 224
to R5: 205, 215, 225
to R6: 206, 216, 226



R4 Frame Relay

to R2: 402, 412, 422
to R5: 405, 415, 425
to R6: 406, 416, 426

R5 Frame Relay

to R2: 502, 512, 522
to R4: 504, 514, 524
to R6: 506, 516, 526

R6 Frame Relay

to R2: 602, 612, 622
to R4: 604, 614, 624
to R5: 605, 615, 625

